



**The Western States
Machine Company**



530 N.Third St., P.O. Box 327, Hamilton, Ohio 45012-0327, U.S.A. Tel: 513-863-4758 Fax: 513-863-3846
sales@westernstates.com <http://www.westernstates.com>

SERVICE BULLETIN

Date: September 24, 2009

To: All Customers of Oil Lubricated CC6 Centrifuges with the 3 Point Suspension

Subj: REVISION ONE TO SHEET CC6-89209

This service bulletin applies to all original design CC6 centrifuges with oil lubrication and three point suspension system.

The exploded view illustration of the Bearing Housing Subassembly of Sheet CC6-89209 had an error with all piece numbers 19 through 41 being off by one digit. This illustration has been corrected. The attached revised sheet should be installed in all original CC6 parts manuals.

Depending on when your manual was printed, this illustration will be either Figure 2 or Figure 8 in the CC6 parts manual.

Any questions on these revised procedures should be addressed to the WSMC Field Service Department at 513-863-4758 or service@westernstates.com.

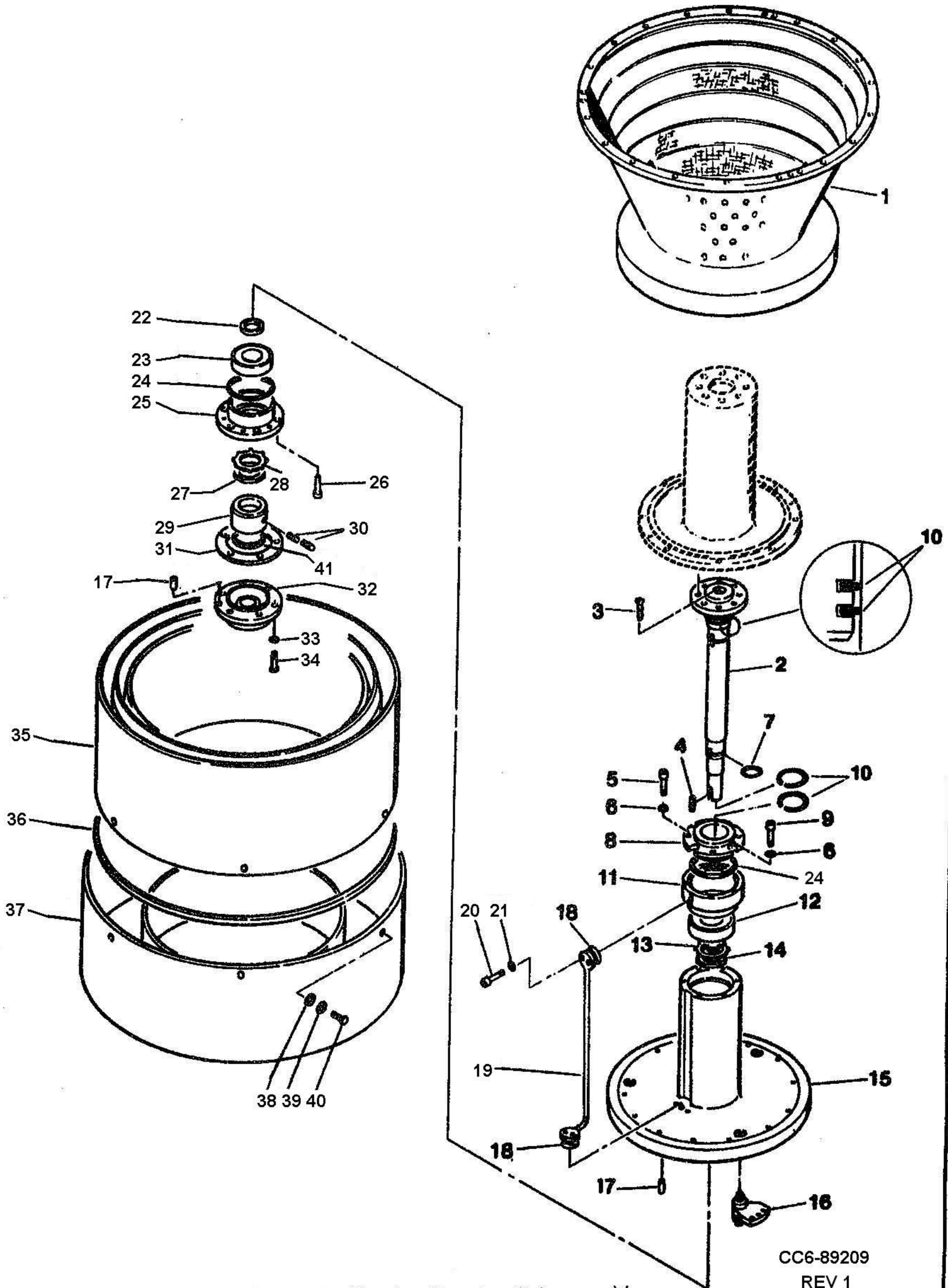


Figure ___ **Bearing Housing Subassembly**

CC6-89209
REV 1